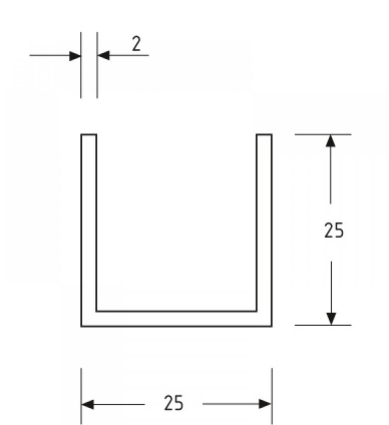


25mm X 25mm U Channel - Anodised Aluminium - 21mm Groove (Model: G70025238)



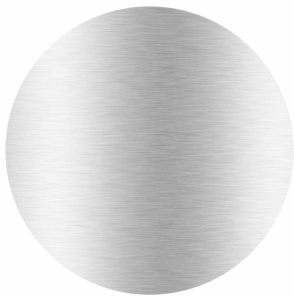
- 25mm wide x 25mm high u channel with a 21mm groove.
- Used for creating bespoke shower enclosures.
- The depth of the u channel is ideal for disguising any discrepancy in the plumbness of the wall, allowing for the glass to be cut straight.
- Supplied in an anodised aluminium finish.



Attributes:

Product Code: G70025238

Unit Of Sale: 5 Mtr



ANODISED ALUMINIUM FINISH