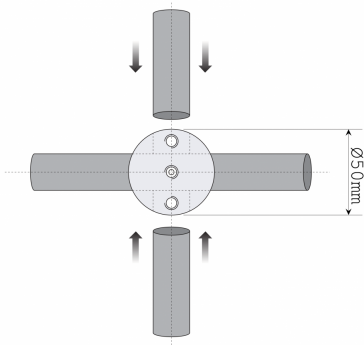


Upper X Joint (Model: KP561B)



- The joint is made of stainless steel AISI 303 allowing the quick X-junction of two tubes.

Attributes:

Product Code: KP561B

Unit Of Sale: Each