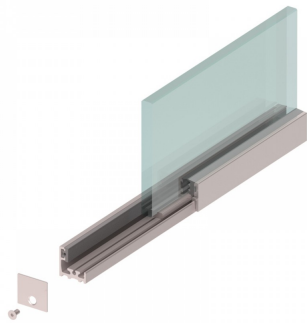


26 x 28mm Base Profile & Cover - Anodised (Model: G.DK.SG.SA.009)



Aluminium glass partition system for use on the bottom and side.

- Aluminium glass partition system for use on the bottom and side.
- A two part system for very fast and easy installation.
- Gasket kits sold separately dependant on the glass thickness.
- Anodised finish.
- Also available in Black finish.

Attributes:

Product Code: G.DK.SG.SA.009

Unit Of Sale: 3m

