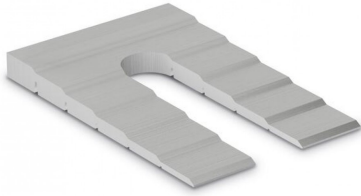
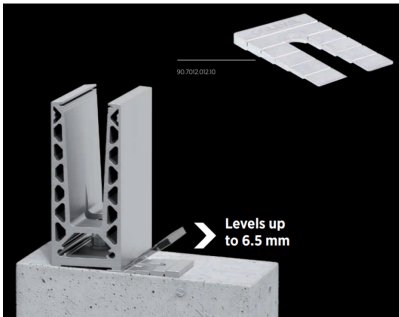


OnLevel Variable Shim - 1-6.5mm - Pack 20 (Model: K.ON.90.7012.012.10)



- This is a must have installation item for any installer.
- This is a stepped wedge/shim that starts at 1mm and goes in steps up to 6.5mm thick.
- Ideal for plumbing frameless balustrade tracks before glass installation to enable easier and faster glass installation and plumbing especially on single side installation systems such as the Onlevel range where the adjustment is more limited than the Crystal View range.
- The shim will simply snap off at the start of every step.
- Made from aluminium.



Attributes:

Product Code: K.ON.90.7012.012.10

Unit Of Sale: 20 Pack