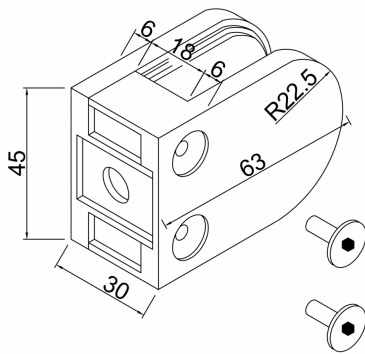


Glass Clamp - 63x45mm - 316SS Black - Flat - 6-12mm (Model: K.GC.6345.316.000.BK)



- A 63mm x 45mm D shaped clamp. Suitable for mounting on a flat surface.
- For stairs, glass balconies, counter dividers, retail glass displays and splash guards.
- Supplied with an optional anti-slip safety pin which allows you to drill the glass to ensure that it never slips downwards over time.
- These clamps are suitable for glass panels weighing up to approximately 34kgs per four clamps.
- 316 Grade Stainless in a black finish making these suitable for outdoor use



Attributes:

Product Code: K.GC.6345.316.000.BK

Unit Of Sale: Each

