

150mm SkyForce Fixing Screw For PVC & Alu With Steel Core ( Model: K.SF.16.9005.615.81 )

- Self tapping screw 150mm long.
- For bolting into PVC with a steel core.
- The screw needs a 1.5 mm steel core in the frame profile.

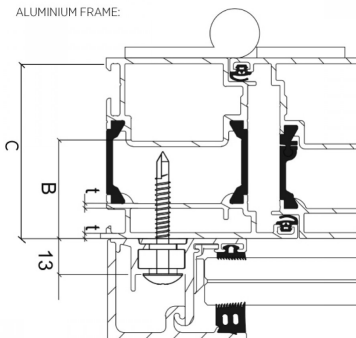


Attributes:

**Product Code:** K.SF.16.9005.615.81

**Unit Of Sale:** 12

ALUMINIUM FRAME:



PLASTIC FRAME:

