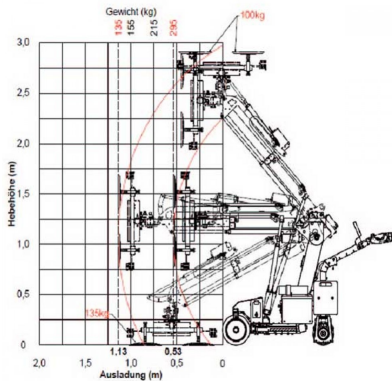


295kg Capacity Indoor Glassworker Glazing Robot ( Model: T.GR.GW295 )



The Glassworker GW 295 is the little brother of GW425 and GW625-2.

Due to its compact design it is perfectly suited for very narrow areas and still has a good boom range.

It is characterized by a small turning circle. With his slim chassis of 620mm he can drive through every standard door.

- Lifting capacity: 295kg
- Lifting capacity with max. reach: 135kg
- Total weight: 492kg
- Total height: 1.320mm (1.550mm with the steering handle folded up)
- Total width: 620mm
- Total length: 2.410mm (with the steering handle folded up)
- Max. lifting height(vertical): 2.420mm
- Max. lifting height(overhead): 2.900mm
- Tilting of the suction system with a horizontal lifting arm: 99° to the front, 92° to the back
- Side shift: 50 mm in both directions
- Back wheel drive: 600Watt
- Charging Voltage: 230V
- Batteries: 24V/2x85Ah
- Rotation of the vacuum cross: 165° in both directions.

Attributes:

**Product Code:** T.GR.GW295

**Unit Of Sale:** Each

