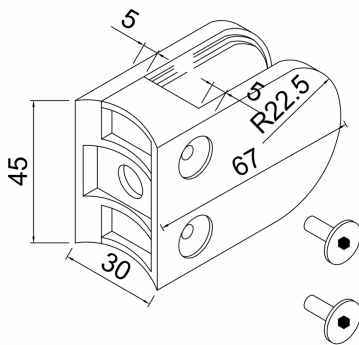


Glass Clamp- 63x45mm - 304PSS - Polished - 48mm Tube- 6-12mm (Model: K.GC.6345.304.048.P)



- A 63mm x 45mm D shaped clamp. Suitable for mounting to a 48mm diameter post.
- Used mainly indoors for stairs, glass balconies, counter dividers, retail glass displays and splash guards.
- Supplied with an optional anti-slip safety pin which allows you to drill the glass to ensure that it never slips downwards over time.
- These clamps are suitable for loads up to approximately 34kgs per four clamps.
- Available in [316](#)



Attributes:

Product Code: K.GC.6345.304.048.P

Unit Of Sale: Each

