

Square Type Glass Spigot - 10-21.52mm - With Cover (Model: KCVSP003)



- Suitable for 10mm to 21.52mm thick glass.
- Manufactured using Duplex 2205 grade stainless steel for use in the most harsh outdoor environments.
- Glass alignment can be easily achieved by shimming the base of the spigot.
- No glass drilling is required.
- 2 Spigots per metre.
- Replacement Cover also available ([KCVSP004](#)).

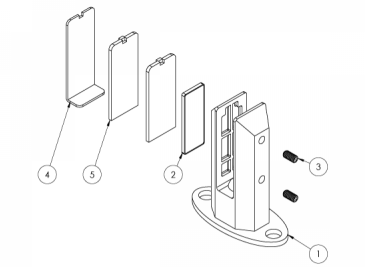
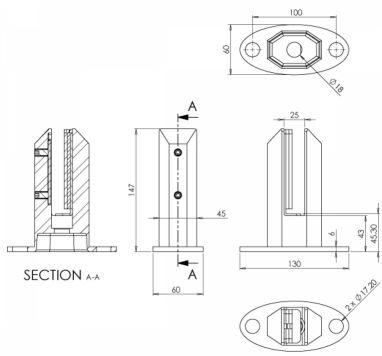


Attributes:

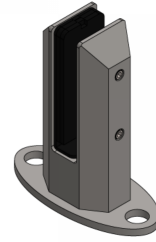
Product Code: KCVSP003

Unit Of Sale: EACH





	DESCRIPTION	QTY.
1	Glass Squire Base Fix 10 - 21.52mm Glass Squire Model Duplex 2205	1
2	Insert - Steel & Plastic	1
3	M10 Hex Head	2
4	Insert - L Shaped Plastic	1
5	Insert - Plastic Spacer	2



Type of Occupancy for Part of the Building	Examples of Specific Use	Horizontal Glazing Coefficient (See Note 1)	Budget Square Feet per sq. foot	Budget Round Squares 1000 mm Panel			
				13 mm Toughened	16 mm Toughened	17.8 mm Laminated	19 mm Toughened Laminated
Domestic and residential use	1) all areas with or without mechanical air conditioning 2) all areas with or without mechanical air conditioning and other equipment or systems of air conditioning 3) light access areas and passages not subject to fire or smoke 4) light access areas and passages not subject to fire or smoke	0.36	✓	✓	✓	✓	✓
Offices and business use	1) all areas with or without mechanical air conditioning 2) all areas with or without mechanical air conditioning and other equipment or systems of air conditioning 3) light access areas and passages not subject to fire or smoke 4) light access areas and passages not subject to fire or smoke	0.74	✓	X	✓	✓	✓
Public areas	1) all areas with or without mechanical air conditioning 2) all areas with or without mechanical air conditioning and other equipment or systems of air conditioning 3) light access areas and passages not subject to fire or smoke 4) light access areas and passages not subject to fire or smoke	0.36	✓	✓	✓	✓	✓
Areas where people may be present	1) all areas with or without mechanical air conditioning 2) all areas with or without mechanical air conditioning and other equipment or systems of air conditioning 3) light access areas and passages not subject to fire or smoke 4) light access areas and passages not subject to fire or smoke	0.74	✓	X	✓	✓	✓
Areas where people may be present	1) all areas with or without mechanical air conditioning 2) all areas with or without mechanical air conditioning and other equipment or systems of air conditioning 3) light access areas and passages not subject to fire or smoke 4) light access areas and passages not subject to fire or smoke	1.90	✓	X	X	X	X
Areas where people may be present	1) all areas with or without mechanical air conditioning 2) all areas with or without mechanical air conditioning and other equipment or systems of air conditioning 3) light access areas and passages not subject to fire or smoke 4) light access areas and passages not subject to fire or smoke	1.90	✓	X	X	X	X

Type of Occupancy for Part of the Building	Examples of Specific Use	Horizontal Glazing Coefficient (See Note 1)	Budget Square Feet per sq. foot	Budget Round Squares 1000 mm Panel					
				13 mm Toughened	16 mm Toughened	17.8 mm Laminated	19 mm Toughened	17.8 mm Laminated	21.8 mm Laminated
Areas where people may be present	1) all areas with or without mechanical air conditioning 2) all areas with or without mechanical air conditioning and other equipment or systems of air conditioning 3) light access areas and passages not subject to fire or smoke 4) light access areas and passages not subject to fire or smoke	0.74	✓	X	✓	✓	✓	✓	✓
Areas where people may be present	1) all areas with or without mechanical air conditioning 2) all areas with or without mechanical air conditioning and other equipment or systems of air conditioning 3) light access areas and passages not subject to fire or smoke 4) light access areas and passages not subject to fire or smoke	1.90	✓	X	X	X	X	X	X
Areas where people may be present	1) all areas with or without mechanical air conditioning 2) all areas with or without mechanical air conditioning and other equipment or systems of air conditioning 3) light access areas and passages not subject to fire or smoke 4) light access areas and passages not subject to fire or smoke	0.36	✓	X	X	X	X	X	X
Areas where people may be present	1) all areas with or without mechanical air conditioning 2) all areas with or without mechanical air conditioning and other equipment or systems of air conditioning 3) light access areas and passages not subject to fire or smoke 4) light access areas and passages not subject to fire or smoke	0.36	✓	X	X	X	X	X	X
Areas where people may be present	1) all areas with or without mechanical air conditioning 2) all areas with or without mechanical air conditioning and other equipment or systems of air conditioning 3) light access areas and passages not subject to fire or smoke 4) light access areas and passages not subject to fire or smoke	0.36	✓	X	X	X	X	X	X
Areas where people may be present	1) all areas with or without mechanical air conditioning 2) all areas with or without mechanical air conditioning and other equipment or systems of air conditioning 3) light access areas and passages not subject to fire or smoke 4) light access areas and passages not subject to fire or smoke	0.36	✓	X	X	X	X	X	X
Areas where people may be present	1) all areas with or without mechanical air conditioning 2) all areas with or without mechanical air conditioning and other equipment or systems of air conditioning 3) light access areas and passages not subject to fire or smoke 4) light access areas and passages not subject to fire or smoke	0.36	✓	X	X	X	X	X	X