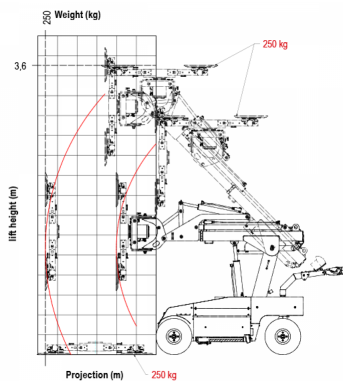
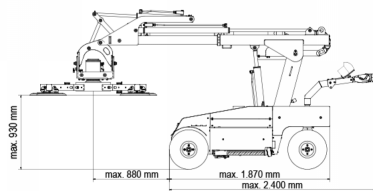
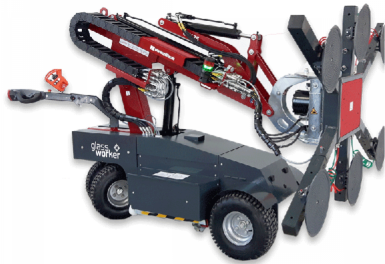


**625kg Capacity Outdoor Glazing Robot With Highlifter ( Model: T.GR.GW625 )**



The new GW 625 is perfect for construction projects with large window sections that require a large load capacity of up to 625 kg

- Glassworker GW625 Highlifter
- Load capacity max. 625 kg
- Silicone-free suction plates (no marks)
- Additional manual extension (610 mm)
- Fully hydraulic extension
- Vertical mounting up to 3.60 m
- Overhead mounting up to 4.20 m
- Sensitive hydraulics
- Sensitive radio remote control with LCD display, charger, second battery and accessories
- Visual display of all queries in the radio remote control
- Self-monitoring safety system
- Plug & Play delivery
- Overload key
- Hydraulic side shift in vacuum cross (+/- 50 mm)
- Automatic angle correction
- 6 suction plates Å 350 mm
- Hydraulic turning
- Hydraulic swivelling
- Front drive 3 kW
- Operating instructions with CE declaration of conformity
- Own weight approx.

**Attributes:**

**Product Code:** T.GR.GW625

**Unit Of Sale:** Each

Transport position

