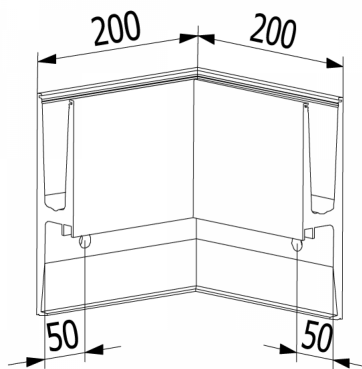


OnLevel 3011 Side Mount 90 Degree Internal Corner (Model: K.ON.10.3011.300.11)



- Suitable for line loads up to 3kN in accordance with BS6180.
- Using the Flex-Fit System, the installation can be done from one side only and glass adjusted accordingly.
- Pre drilled every 300mm and suitable for an M16 fixing.
- Supplied in plain anodised aluminium in 2.5 metre lengths.



Attributes:

Product Code: K.ON.10.3011.300.11

Unit Of Sale: Each

