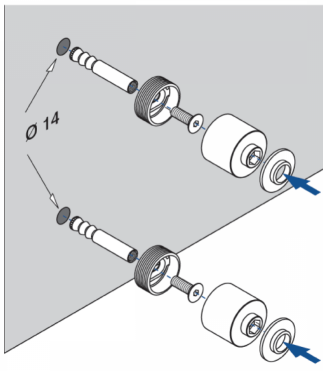


50mm Adjustable Point Fixture - 316SS - 30mm Standoff (Model: K17154.316.30)



- Stainless steel point fixture suitable for mounting glass panels both vertically and horizontally.
- Also available in 304 and 316 Brushed Stainless Steel and in heights of 40mm and 50mm.
- Suitable for glass thickness 12-25.52mm.
- 26mm Diameter hole required in glass.



Attributes:

Product Code: K17154.316.30

Unit Of Sale: Each



