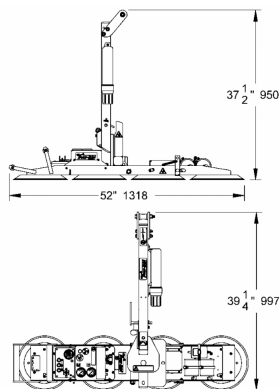
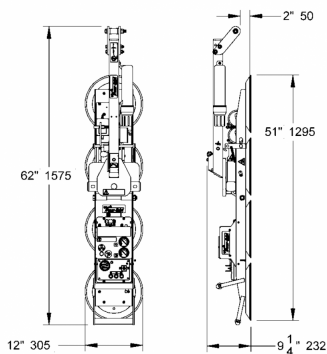


P11104 '4-in-line' Intelli-Grip Glass Vacuum Lifter - 320kg ( Model: T0031 )



- With 180° rotation and 90° tilt motion.
- Featuring a dual vacuum system with power loss buzzer for added safety.
- A high flow vacuum pump and blow off for greater productivity.
- The reduced power consumption is great for extended time on the construction site.
- Maximum Load: 320kg.
- Lifter Weight: 44kg.
- Pad Spread: 305mm x 1295mm.

Attributes:

**Product Code:** T0031

**Unit Of Sale:** Each

