

Countersunk Fixed Bolt For 8 - 15mm Thick Glass (Model: KSP.V2001-0815-1465)

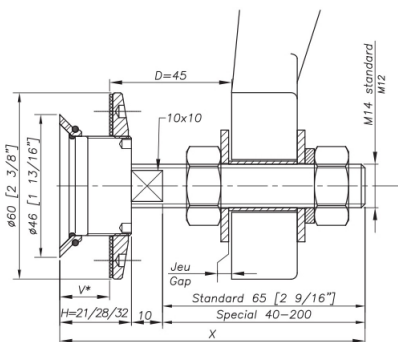
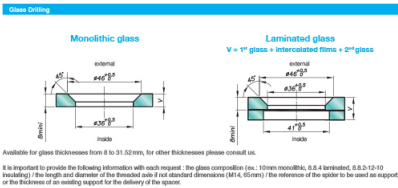


- Fixed bolt with a countersunk head for use in spider glazing systems.
- Manufactured using 316 grade stainless steel.
- Standard 65mm long axis and suitable for 8 - 15mm thick glass.
- Please see the other bolts in the range for additional glass thicknesses.
- Special dimension glass bolts available on request.
- Glassparts recommend using thread locking compound whenever possible.

Attributes:

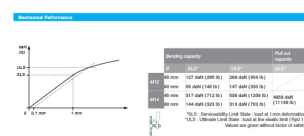
Product Code: KSP.V2001-0815-1465

Unit Of Sale: Each



Accessories

Accessories	Part No.	Description
1	010	Washer
2	011	Washer
3	012	Washer
4	013	Washer
5	014	Washer
6	015	Washer
7	016	Washer
8	017	Washer
9	018	Washer
10	019	Washer
11	020	Washer



Load Capacity

Part No.	Load Capacity (N)	Load Capacity (lbf)
010	100	22.5
011	200	45
012	300	67.5
013	400	90
014	500	112.5
015	600	135
016	700	157.5
017	800	180
018	900	202.5
019	1000	225