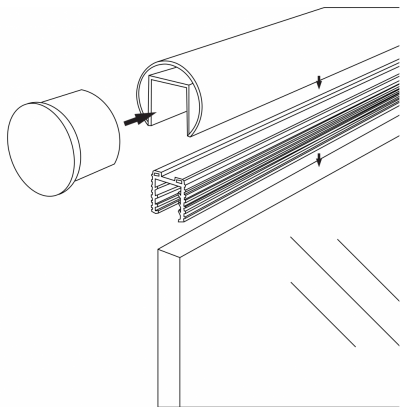


Slotted Handrail Gasket For 19 - 21.5 mm Thick Glass ( Model: KSS.6770.483.2000 )

- Gasket for use with [KSS.2004981.316](#) - Slotted Tube 48.3mm x 27mm x 30mm x 1.5mm.
- Suitable for 19mm to 21.5mm thick glass.



Attributes:

**Product Code:** KSS.6770.483.2000

**Unit Of Sale:** Metre