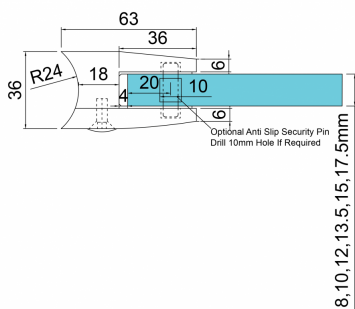
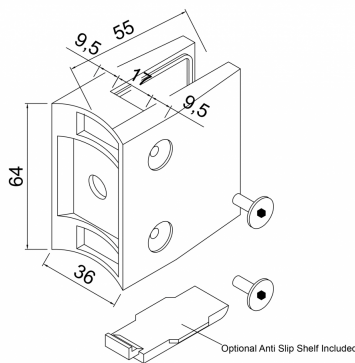


Glass Clamp-67x55mm - 316SSS - Satin - 48mm Tube - 8-17.5mm (Model: K.GC.6755.316.048.S)



- A 67mm x 55mm rectangular shaped clamp.
- Suitable for mounting on a 48mm diameter post.
- Used mainly outdoors for stairs, glass balconies, pharmaceutical plants, food prep areas and any area subject to moisture.
- Supplied with an optional anti slip safety shelf which ensures that it never allows the glass to slip downwards over time.
- To use these shelves the clamps must be mounted at the corners of the glass panels.
- This clamp is also supplied with the optional anti slip pin which is used when the glass is drilled.
- These clamps are suitable for loads up to approximately 50kgs per four clamps.



Attributes:

Product Code: K.GC.6755.316.048.S

Unit Of Sale: Each

