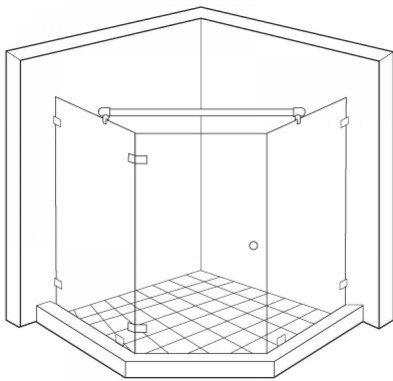


1224mm 360 Degree Glass To Glass Reinforcement Bar Kit - SC ( Model: JRB12.2BSC )



- Made from SUS 304 Stainless Steel.
- For glass thickness 6mm to 12mm.
- 1224mm long in a satin chrome finish.
- Supplied with:
  - 2 x 360° Glass Clamps - [JRB1220BSC](#)
  - 1 x 1200mm Reinforcement Bar - [JRB1912SC](#)



**Attributes:**

**Product Code:** JRB12.2BSC

**Unit Of Sale:** Each



SATIN CHROME FINISH