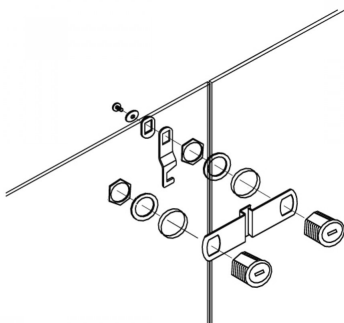
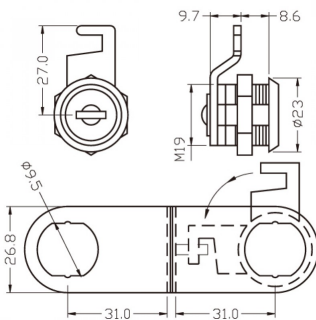


Double Door Lock C/P (Model: I0005)



- Cabinet swing glass door lock for double doors for glass thickness 5-6mm.

- A > Left Door(only decoration,no function)

Accessories:

- 1 decorative cylinder
- 1 front plate
- 1 plastic washer
- 1 hexagon nut 18mm

- B > Right Door

Accessories:

- 2 keys w/plastic cover
- 1 cylinder
- 1 front plate
- 1 plastic washer
- 1 hexagon nut 19mm
- 1 offset hook cam
- 2 washers
- 1 m4 x 6 screw

Attributes:

Product Code: I0005

Unit Of Sale: Each