

K.CAN.PENS.1000.SS
K.CAN.PENS.2000.SS
K.CAN.PENS.3000.SS



LA PENSILINA CANOPY SYSTEM 1000MM(2000MM, 3000MM) SS EFFECT FOR 17.52MM GLASS

La Pensilina is a cantilever horizontal glazing system requiring no rods and no glass cut out. The pane is held by a continuous honeycomb aluminium profile, designed to resist operating loads covering all possible load combinations (snow and wind), in addition to the weight of the glass itself. The profile is anchored to the wall by means of mechanical or chemical anchors, depending on the type of support.



Republic of Ireland (Head Office)

Phone: 0505 45125 Fax: 0505 45345
Web: www.glassparts.ie Email: sales@glassparts.ie
Address: Lisbunny Industrial Estate, Lisbunny, Nenagh, Co. Tipperary.

United Kingdom (Sales Office)

Phone: 0800 975 3436 Fax: 00 353 505 45345
Web: www.glassparts.co.uk Email: sales@glassparts.co.uk
Address: Unit 6, The Glenmore Centre, Cable St, Southampton SO145AE

K.CAN.PENS.1000.SS
K.CAN.PENS.2000.SS
K.CAN.PENS.3000.SS



KIT FOR CANTILEVER HORIZONTAL GLAZING NO RODS AND NO GLASS CUT OUT REQUIRED



The kit is made up of a load-bearing profile in aluminium, seals, and safety accessories and includes terminal finishing caps without visible screws.

Features:

- Load-bearing extruded aluminium 6063-T6 for glass composition 88.2 (16.76 mm) or 88.4 (17.52 mm).
- Glass Type Recommended: Toughened Laminate Combination (Tested With SentryGlas)
- TPE glass holder and wall seals, grey coloured.
- Grivory® locking cams and safety elements for maximum mechanical and ageing resistance.
- End caps in aluminium, to be applied with silicon.

Republic of Ireland (Head Office)

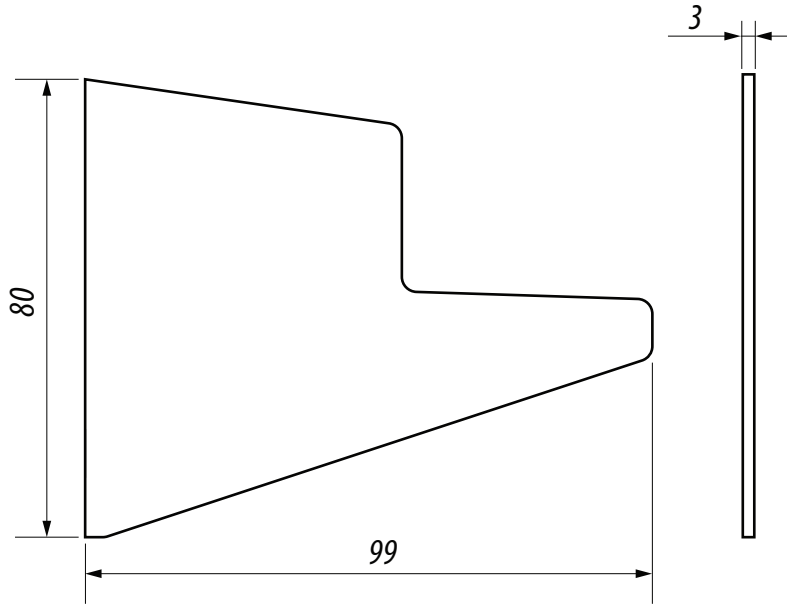
Phone: 0505 45125 Fax: 0505 45345
Web: www.glassparts.ie Email: sales@glassparts.ie
Address: Lisbunny Industrial Estate, Lisbunny, Nenagh, Co. Tipperary.

United Kingdom (Sales Office)

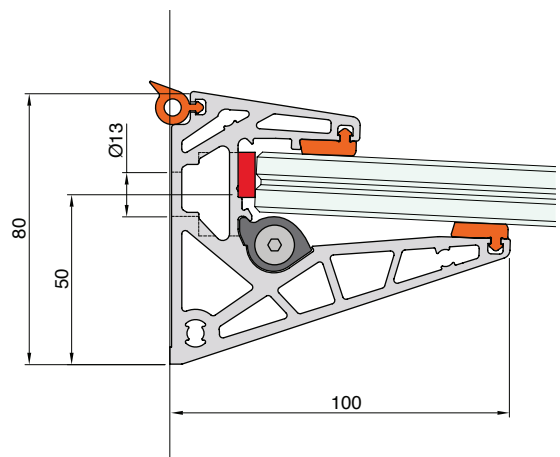
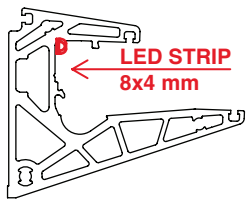
Phone: 0800 975 3436 Fax: 00 353 505 45345
Web: www.glassparts.co.uk Email: sales@glassparts.co.uk
Address: Unit 6, The Glenmore Centre, Cable St, Southampton SO145AE

K.CAN.PENS.1000.SS
K.CAN.PENS.2000.SS
K.CAN.PENS.3000.SS

CAP



- Material: aluminium caps.
- Features: two caps.
- Finish: Stainless steel effect.



It is possible to insert LEDs between the profile and the glass.

Republic of Ireland (Head Office)

Phone: 0505 45125 Fax: 0505 45345
Web: www.glassparts.ie Email: sales@glassparts.ie
Address: Lisbunny Industrial Estate, Lisbunny, Nenagh, Co. Tipperary.

United Kingdom (Sales Office)

Phone: 0800 975 3436 Fax: 00 353 505 45345
Web: www.glassparts.co.uk Email: sales@glassparts.co.uk
Address: Unit 6, The Glenmore Centre, Cable St, Southampton SO145AE

ABACUS OF EXTRACTION FORCES ACTING ON THE FASTENINGS

Cantilever [cm]

	50	55	60	65	70	75	80	85	90	95	100	105	110	115	120
50	0.69	0.78	0.88	0.99	1.10	1.21	1.33	1.46	1.59	1.72	1.86	2.01	2.16	2.31	2.47
60	0.73	0.84	0.95	1.07	1.19	1.32	1.46	1.60	1.75	1.90	2.06	2.22	2.39	2.57	2.75
70	0.78	0.90	1.02	1.15	1.29	1.43	1.58	1.74	1.90	2.08	2.25	2.44	2.63	2.83	3.03
80	0.83	0.96	1.09	1.24	1.39	1.54	1.71	1.88	2.06	2.25	2.45	2.65	2.87	3.09	3.32
90	0.88	1.02	1.16	1.32	1.48	1.65	1.83	2.02	2.22	2.43	2.65	2.87	3.10	3.35	3.60
100	0.93	1.08	1.23	1.40	1.58	1.76	1.96	2.17	2.38	2.61	2.84	3.09	3.34	3.61	3.88
110	0.98	1.14	1.30	1.48	1.67	1.87	2.09	2.31	2.54	2.78	3.04	3.30	3.58	3.87	4.16
120	1.03	1.20	1.38	1.57	1.77	1.98	2.21	2.45	2.70	2.96	3.23	3.52	3.82	4.13	4.45
130	1.08	1.26	1.45	1.65	1.87	2.09	2.34	2.59	2.86	3.14	3.43	3.74	4.05	4.39	4.73
140	1.13	1.31	1.52	1.73	1.96	2.21	2.46	2.73	3.02	3.31	3.63	3.95	4.29	4.64	5.01
150	1.18	1.37	1.59	1.82	2.06	2.32	2.59	2.87	3.18	3.49	3.82	4.17	4.53	4.90	5.29
160	1.22	1.43	1.66	1.90	2.15	2.43	2.71	3.02	3.33	3.67	4.02	4.38	4.77	5.16	5.58
170	1.27	1.49	1.73	1.98	2.25	2.54	2.84	3.16	3.49	3.85	4.22	4.60	5.00	5.42	5.86
180	1.32	1.55	1.80	2.06	2.35	2.65	2.96	3.30	3.65	4.02	4.41	4.82	5.24	5.68	6.14
190	1.37	1.61	1.87	2.15	2.44	2.76	3.09	3.44	3.81	4.20	4.61	5.03	5.48	5.94	6.42
200	1.42	1.67	1.94	2.23	2.54	2.87	3.22	3.58	3.97	4.38	4.80	5.25	5.72	6.20	6.71
225	1.54	1.82	2.12	2.44	2.78	3.14	3.53	3.94	4.37	4.82	5.29	5.79	6.31	6.85	7.41
250	1.67	1.97	2.29	2.64	3.02	3.42	3.84	4.29	4.77	5.26	5.79	6.33	6.90	7.50	8.12
275	1.79	2.12	2.47	2.85	3.26	3.69	4.16	4.65	5.16	5.71	6.28	6.87	7.50	8.15	8.83
300	1.91	2.26	2.65	3.06	3.50	3.97	4.47	5.00	5.56	6.15	6.77	7.41	8.09	8.80	9.53

KEY:

Extracting force acting on the anchors in kN: the abacus contains the values of the extraction force acting on the individual anchor in relation to the cantilever and to the snow load, presuming that there are 5 fastenings per metre of length of the roof.

Snow load in kg/m : the snow load is defined in the technical codes in relation to the geographical area, the altitude, and exposure.

The colours identify the fields of application, with different types of anchor depending on the type of support:

Green : chemical anchor on Alveolater wall, anchoring depth between 80 and 130 mm (extraction load max 1.8 kN)

Yellow : chemical anchor on Double UNI wall anchoring depth ≥ 130 mm (extraction load max 2.6 kN)

Orange : chemical anchor on solid brick wall, anchoring depth ≥ 100 mm (extraction load max 3.6 kN)

Red : chemical anchor on cracked concrete wall, anchoring depth ≥ 120 mm (extraction load max 310.4 kN)

Note: these examples are provided considering use of an M10 threaded rod in class A4

Example:

Installation zone: Florence - snow load 100 kg/m²

Design cantilever: 100 cm

Use the abacus of anchor extraction force values, finding the combination of design bend and extraction load for each anchor. In the case in question, we find $F_e = 2.8$ kN.

The installer must install La Pensilina using anchors with an extraction resistance equal to or greater than the value of F_e .

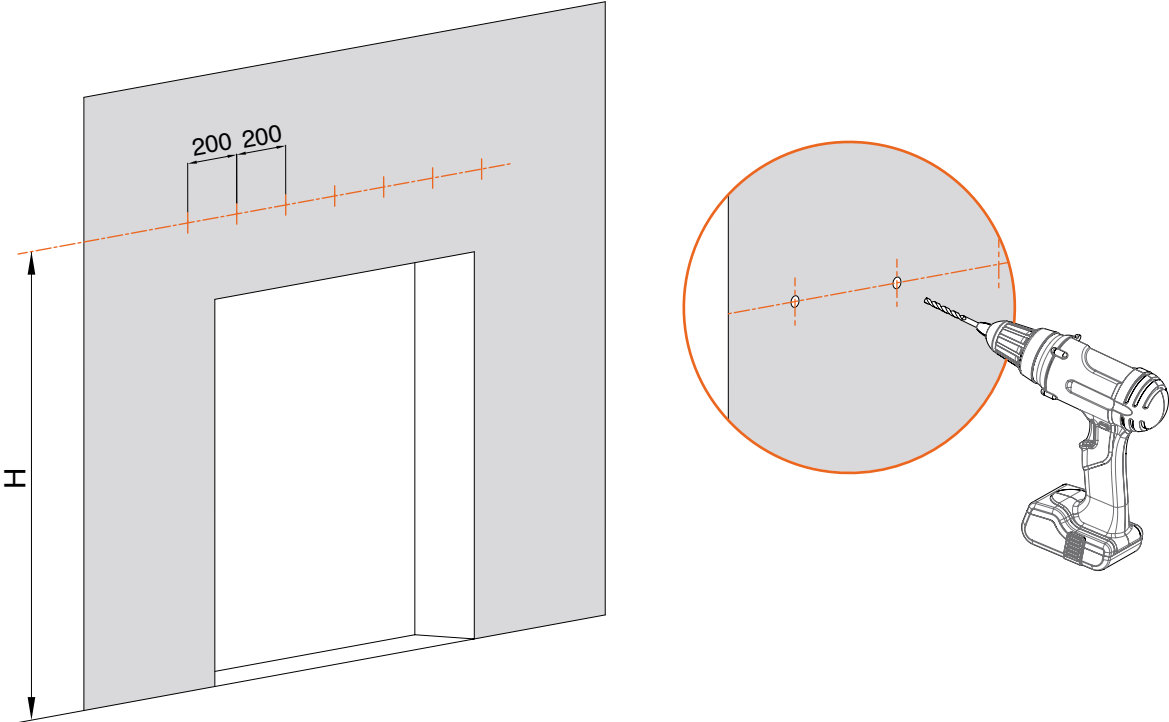
WARNING! The resistance of the anchor is influenced by:

- Type of support (e.g. wall, block wall, concrete beam, etc.)
- Type and dimensions of the anchor (e.g. mechanical, chemical, etc.)
- Anchor depth

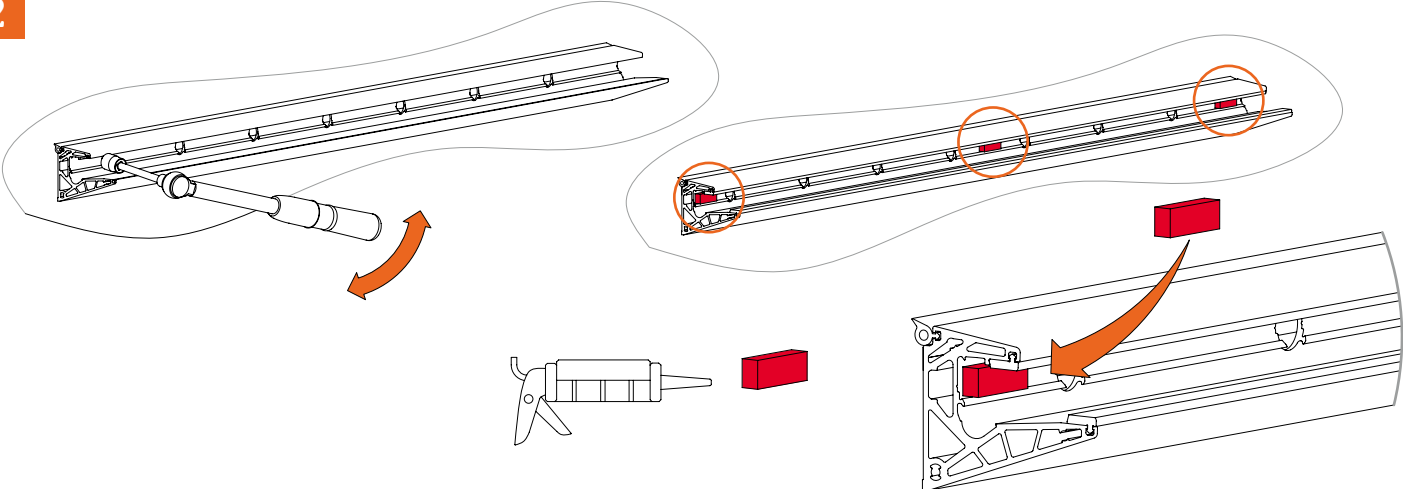
Should it not be possible to reach the required resistance level with any of the commercially available anchoring systems suitable for the structure, the panel depth will have to be reduced (by moving leftwards on the table's row until the maximum resistance of the available bolt is met).

LA PENSILINA CANOPY SYSTEM INSTALLATION INSTRUCTIONS

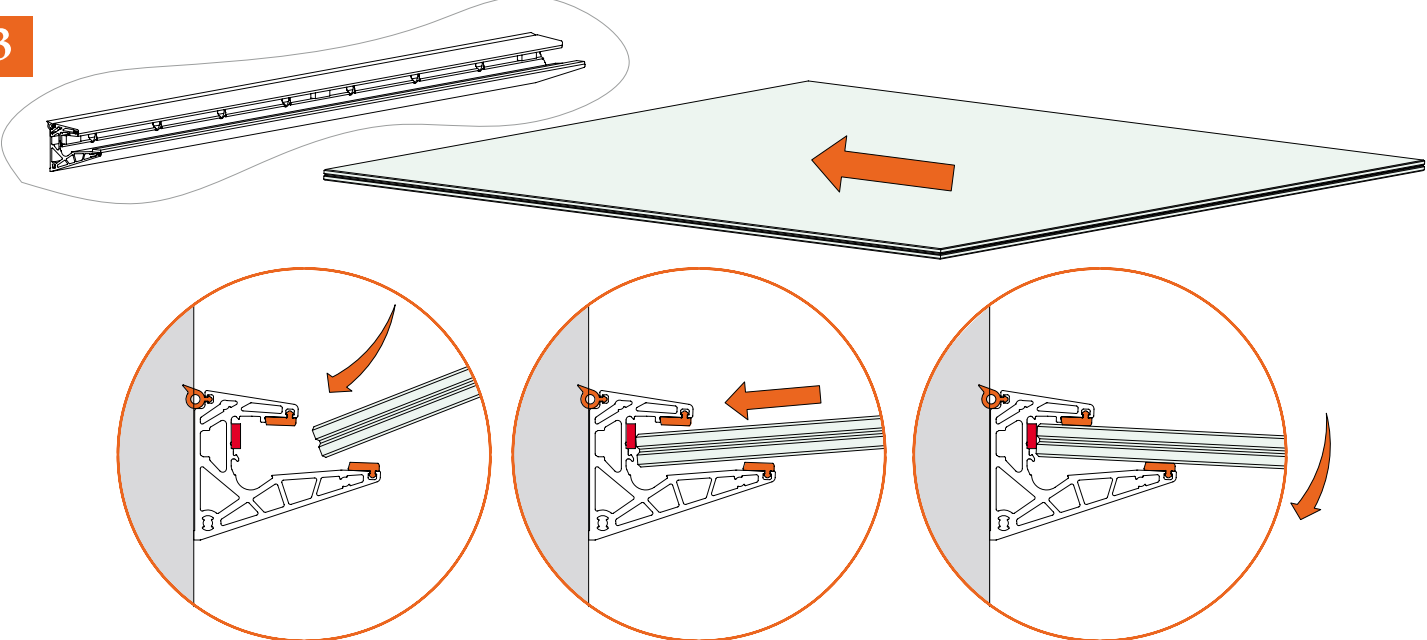
1



2

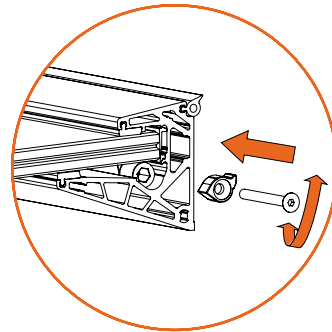
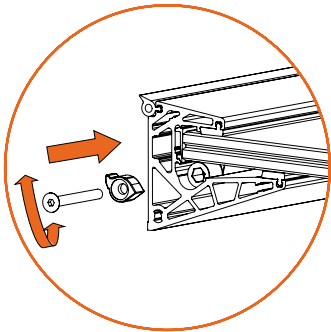
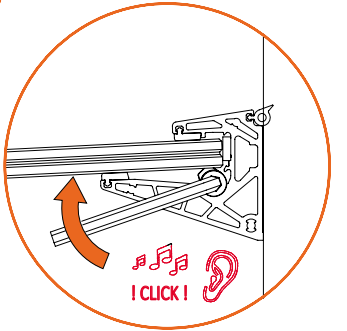
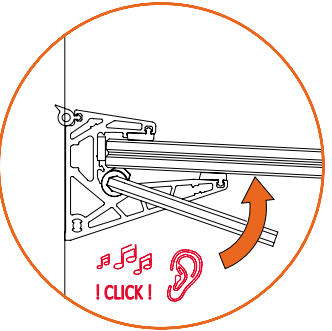
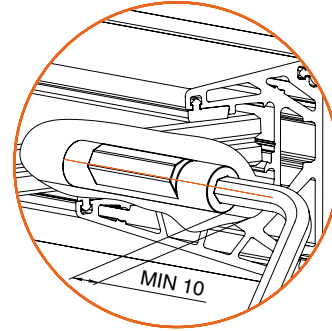
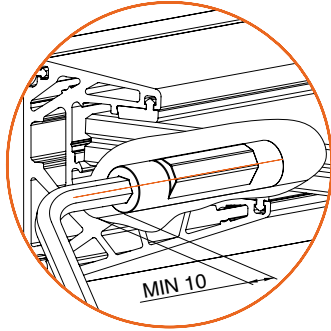
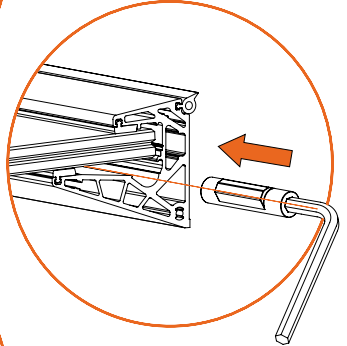
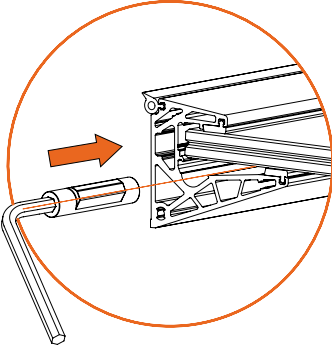
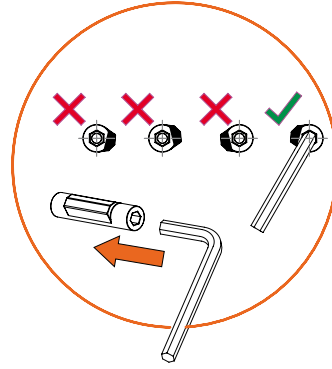
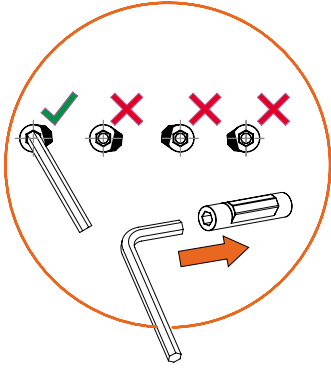
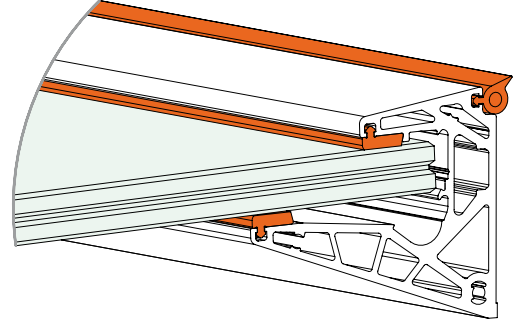
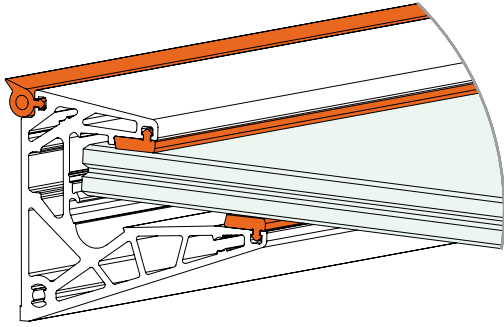


3



LA PENSILINA CANOPY SYSTEM INSTALLATION INSTRUCTIONS

4



5

