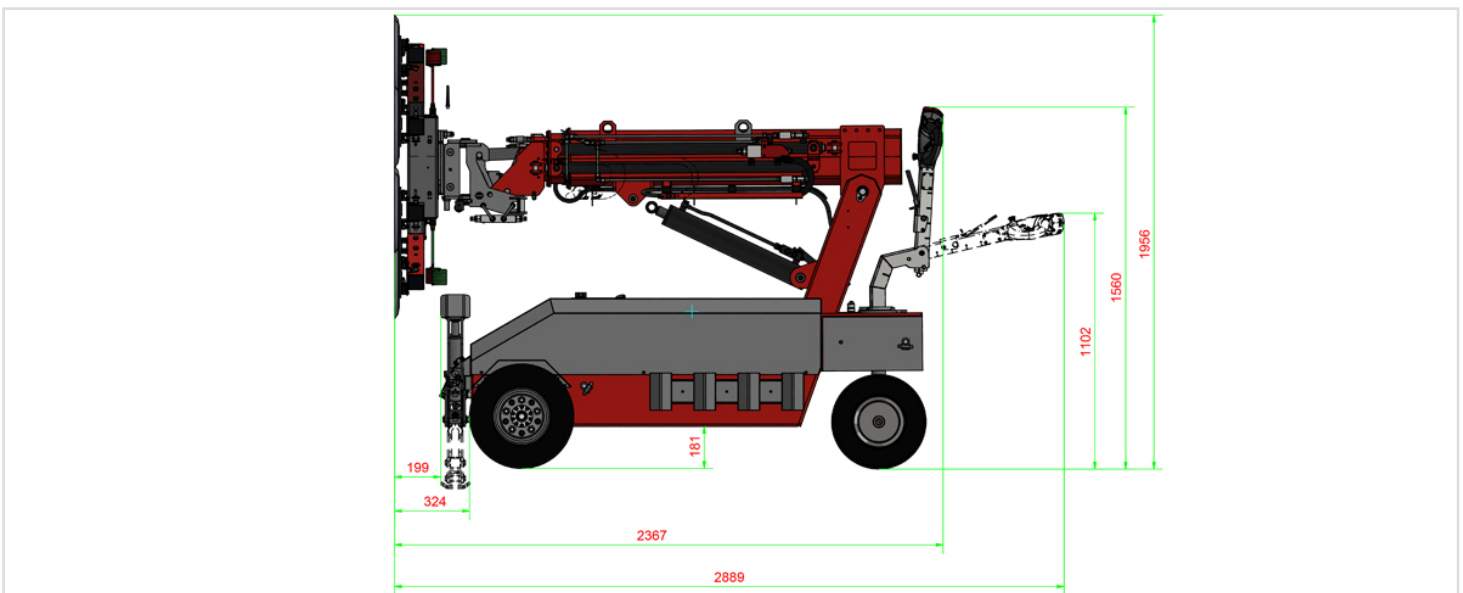


1125kg Capacity Outdoor Glassworker Glazing Robot

The new Glassworker 1125 Glazing Robot is perfect for construction projects with large window sections that require a large load capacity of up to 1125 kg. The Beast is in our largest and most powerful glassworker. Loads can be lifted up to a height of 4.55 meters. A quick-change device makes it possible to switch quickly and effectively from the vacuum cross to, for example, a forklift fork or a cable winch without tools. Hydraulic supports double the load capacity in use. Laser technology prevents falling from floors, over landings and steps. The vacuum cross can be quickly dismantled and used individually by means of a tilt adapter.



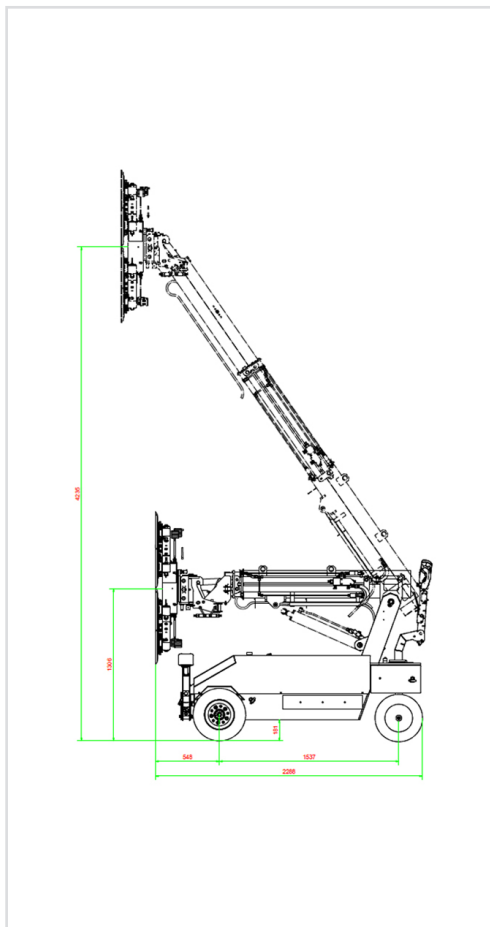
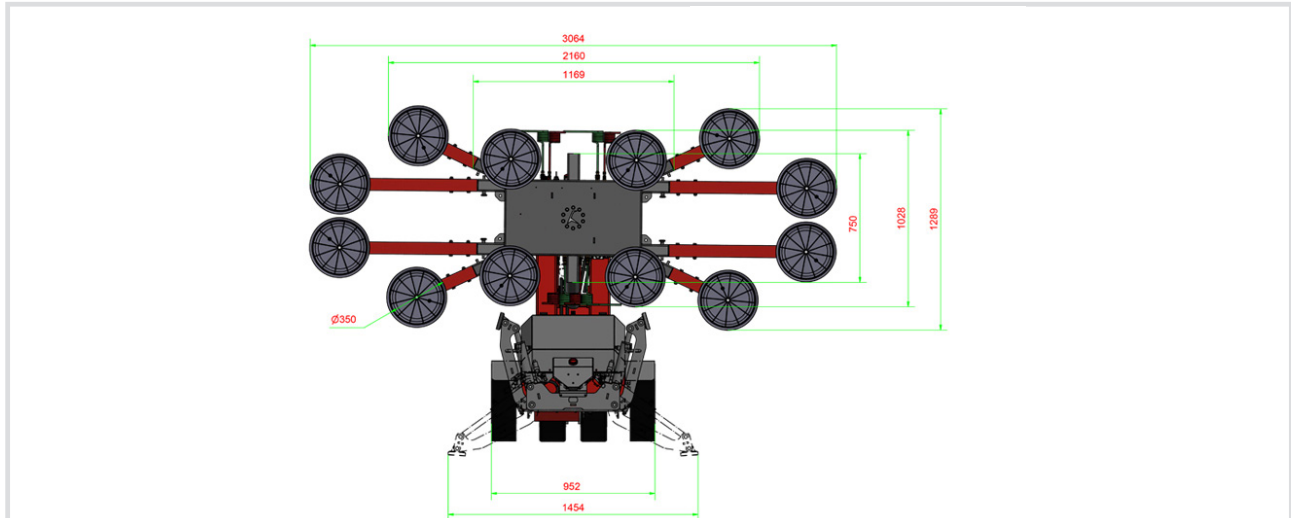
Republic of Ireland (Head Office)

Phone: 0505 45125 Fax: 0505 45345
Web: www.glassparts.ie Email: sales@glassparts.ie
Address: Lisbunny Industrial Estate, Lisbunny, Nenagh, Co. Tipperary.

United Kingdom (Sales Office)

Phone: 0800 975 3436 Fax: 00 353 505 45345
Web: www.glassparts.co.uk Email: sales@glassparts.co.uk
Address: Unit 6, The Glenmore Centre, Cable St, Southampton SO145AE

1125kg Capacity Outdoor Glassworker Glazing Robot



Republic of Ireland (Head Office)

Phone: 0505 45125 Fax: 0505 45345
Web: www.glassparts.ie Email: sales@glassparts.ie
Address: Lisbunny Industrial Estate, Lisbunny, Nenagh, Co. Tipperary.

United Kingdom (Sales Office)

Phone: 0800 975 3436 Fax: 00 353 505 45345
Web: www.glassparts.co.uk Email: sales@glassparts.co.uk
Address: Unit 6, The Glenmore Centre, Cable St, Southampton SO145AE

1125kg Capacity Outdoor Glassworker Glazing Robot

TECHNICAL DATA	
Load capacity	max. 1.125kg
Dead weight	without vacuum cross 1250 kg, with vacuum cross 1400 kg
Scope	Lifting height 4550 mm, throat 2320 mm
Operating time	6 to 8 hours, depending on application
Length	2367 mm
Wide	952 mm (with supports 1454 mm)
Height	1956 mm
Side shift	50 mm each in both directions
Battery	4 x 12V / 107Ah (when using the winch 6 x 12V 107Ah)
Charging current	100-230 Volt / 50-60 Hz
Loading time	approx. 10 hours
Vacuum suction system	Dual-circuit system
Vacuum cross	maximum width 3064 mm and maximum height 1269 mm
Maximum workpiece greetings	4 x 3 meters
Suction plate	12 x Ø 350 mm
Temperature application range	+5°C to 40°C
Optional	Tilting bracket for vacuum cross, electr. winch, transport frame for vacuum unit, NON-marking tires, integrated fall protection, double tires, holder for suction pad extensions, adapter for accessories from GW 625, etc.



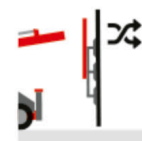
Increased stability

due to hydraulic supports. This ensures higher load capacities with a compact design.



Fall protection

through the use of laser technology. The Glassworker stops automatically if the heel is too high.



Quick change

of the vacuum cross. The suction unit can be dismantled without tools.

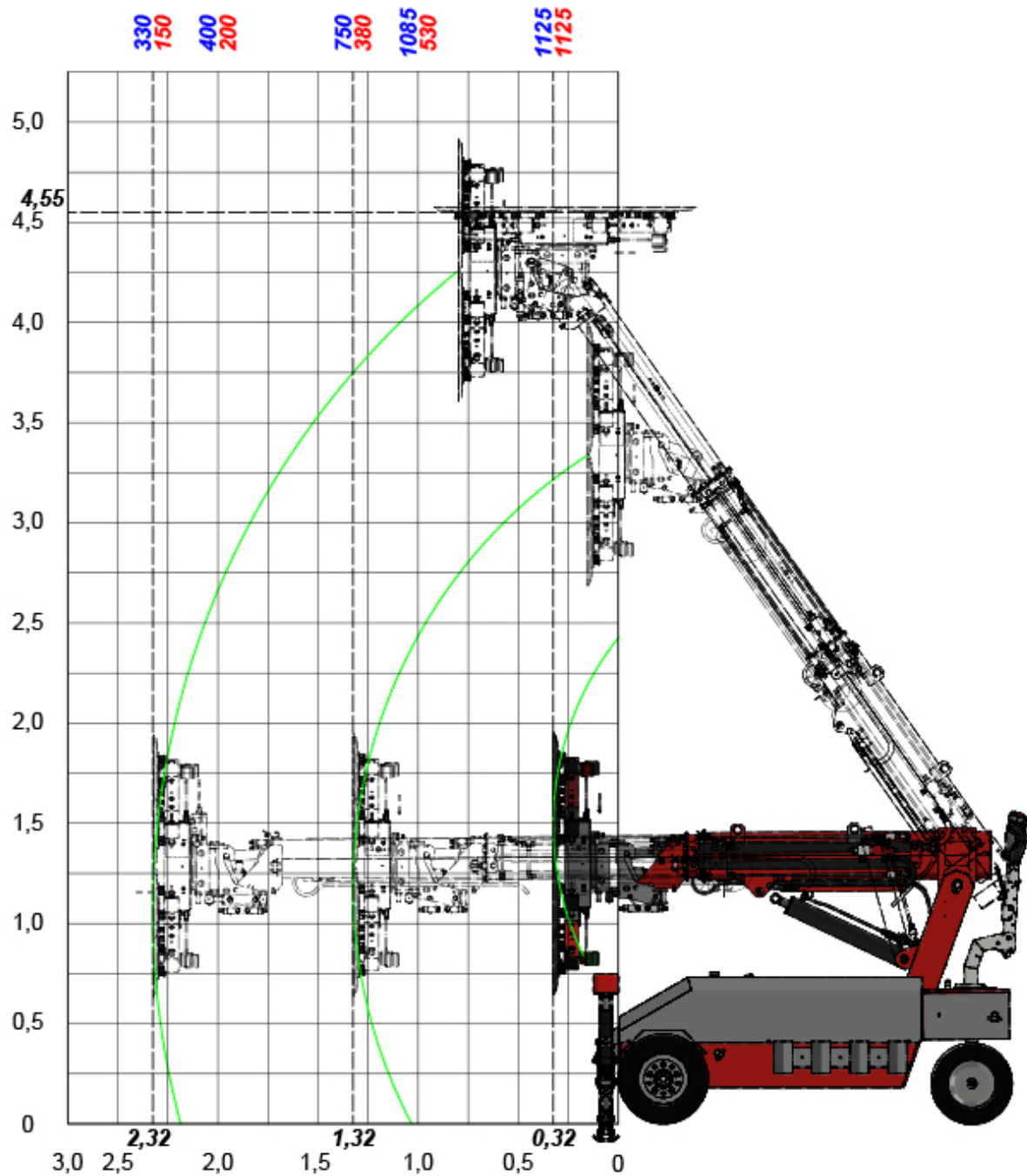
Republic of Ireland (Head Office)

Phone: 0505 45125 Fax: 0505 45345
 Web: www.glassparts.ie Email: sales@glassparts.ie
 Address: Lisbunny Industrial Estate, Lisbunny, Nenagh, Co. Tipperary.

United Kingdom (Sales Office)

Phone: 0800 975 3436 Fax: 00 353 505 45345
 Web: www.glassparts.co.uk Email: sales@glassparts.co.uk
 Address: Unit 6, The Glenmore Centre, Cable St, Southampton SO145AE

1125kg Capacity Outdoor Glassworker Glazing Robot



Republic of Ireland (Head Office)

Phone: 0505 45125 Fax: 0505 45345
Web: www.glassparts.ie Email: sales@glassparts.ie
Address: Lisbunny Industrial Estate, Lisbunny, Nenagh, Co. Tipperary.

United Kingdom (Sales Office)

Phone: 0800 975 3436 Fax: 00 353 505 45345
Web: www.glassparts.co.uk Email: sales@glassparts.co.uk
Address: Unit 6, The Glenmore Centre, Cable St, Southampton SO145AE